



Tray Aero Adapter

First Time Installation

- Please read instructions carefully before installation.
- Check the contents of kit. Contact your Prorack dealer if any parts appear to be missing or damaged.
- Clean your Tray and roof racks prior to fitting the Adapters.

Important Warning

- It is critical that all Prorack racks and accessories be properly and securely attached to your vehicle. Improper attachment could result in an automobile accident, and could cause serious bodily injury or death to you or to others.
- You are responsible for securing the racks and accessories to your car, checking the attachments prior to use, and periodically inspecting the products for adjustment, wear, and damage.
- If you do not understand all of the instructions and cautions, or if you have no mechanical experience and are not thoroughly familiar with the installation procedures, you should have the product installed by a professional installer such as a roof rack specialist.

Tools Required

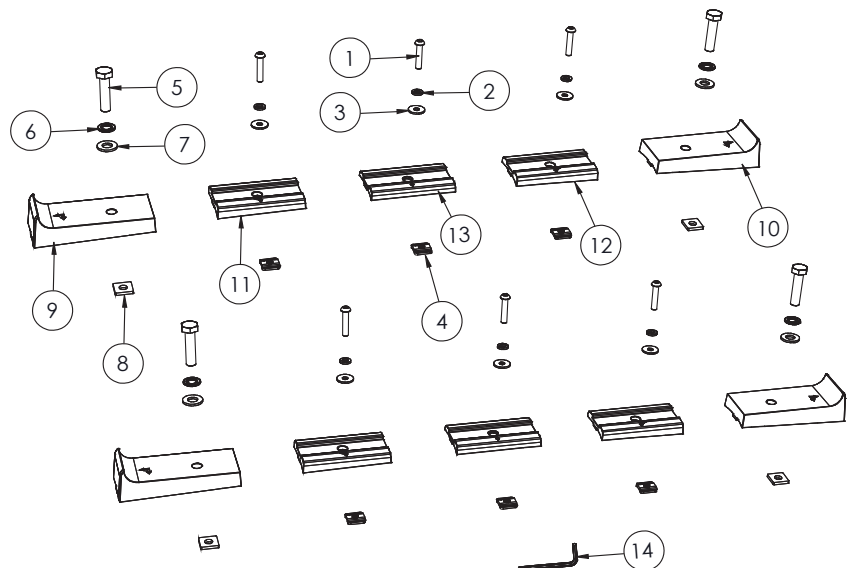
- 13 mm Spanner
- 17 mm Spanner
- Measuring Tape
- Large Scissors
- Torque Wrench (optional)
- Silicon Spray (optional)
- Screwdriver (optional)

Kit Contents

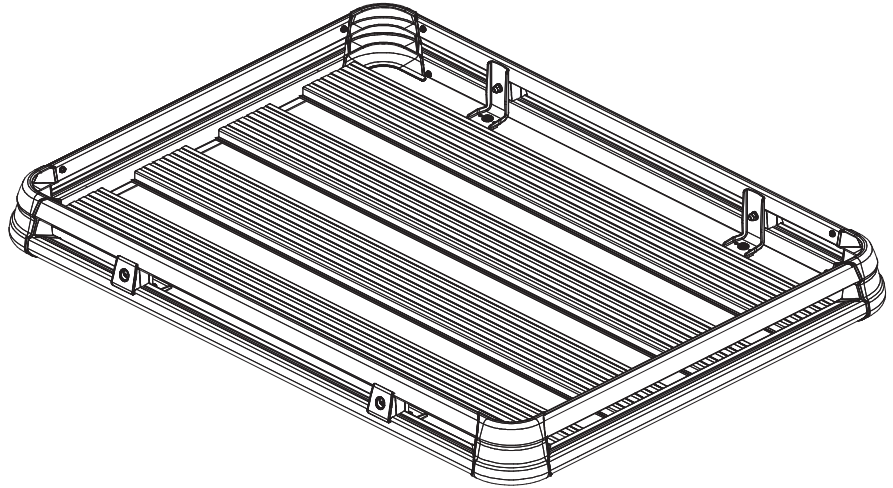
Item	Component	Qty
1	M6 Button Head Capscrew	6
2	M6 Spring Washer	6
3	M6 Washer 18 x 1.6 mm	6
4	M6 T-Nut	6
5	M10 Hex Screw	4
6	M10 Spring Washer	4
7	M10 Washer	4
8	M10 T-Nut	4
9	Aero Adapter Outer Left	2
10	Aero Adapter Outer Right	2
11	Aero Adapter Inner Left	2
12	Aero Adapter Inner Right	2
13	Aero Adapter Middle	2
14	Allen Key 4 mm Ball End	1

PR3214

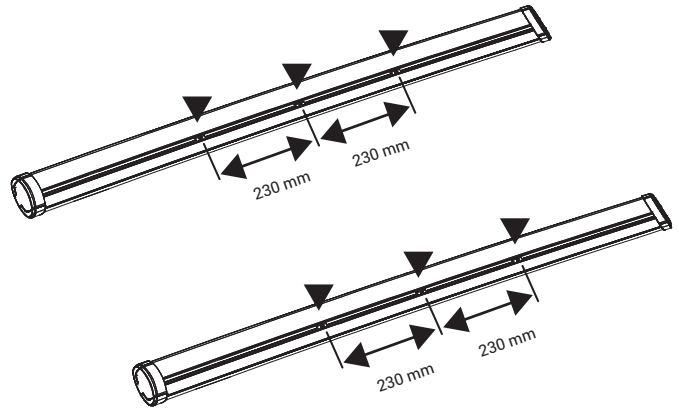
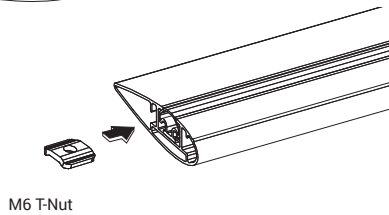
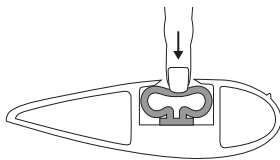
Note - This product is designed to work with PR3210 & PR3211 Prorack Alloy Trays on a pair of Prorack Aero Flush and Through Bars 1200 mm and longer.



- 1** Referring to the PR3210 / PR3211 instructions, assemble the Prorack Alloy Tray up to Step 6.

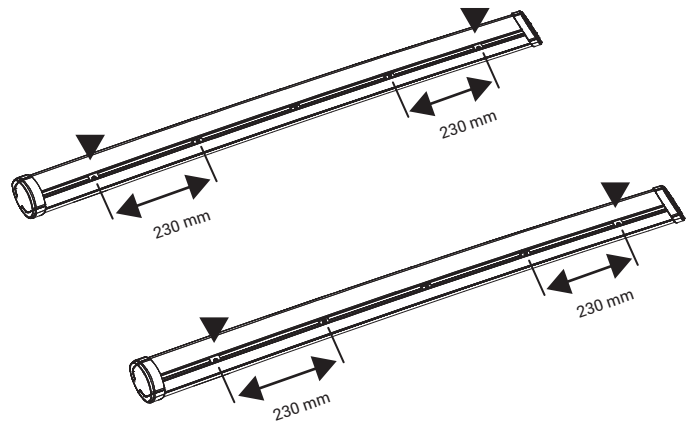
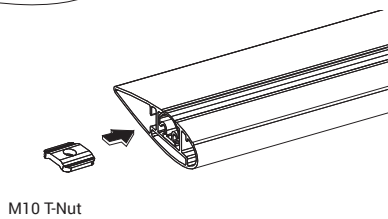
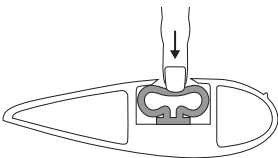


- 2** Push rubber infill down and slide 3x M6 T-Nuts into each crossbar channel, with 1x M6 T-Nut positioned in the center of the crossbar and the remaining 2x M6 T-Nuts positioned 230 mm either side from the center T-Nut. The 4 mm Alloy key can be used to assist T-Nut installation into the channel.



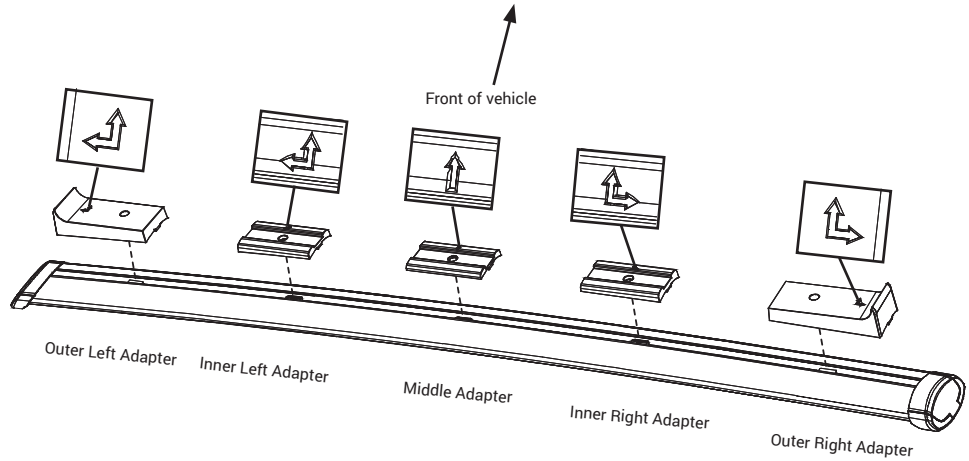
Note - the 230 mm measurement is hole center to hole center.

- 3** Push rubber infill down and slide an M10 T-Nut into each end of both crossbars. Position the M10 T-Nuts 230 mm from the outer most M6 T-Nuts hole center to hole center. The 4 mm Allen Key can be used to assist T-Nut installation into the channel.



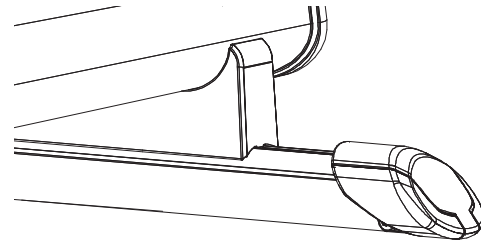
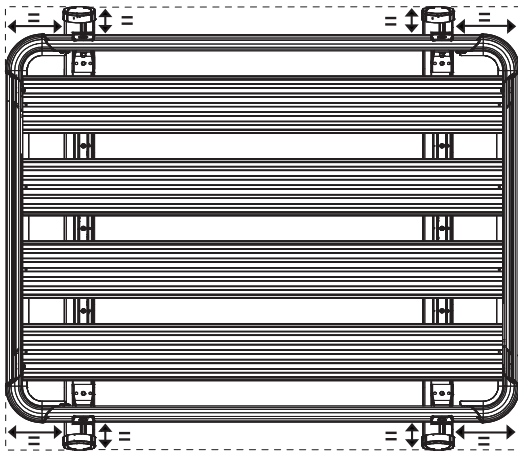
- 4** Place the Adapters onto the crossbar as pictured, lining up the holes with the T-Nuts in the crossbar channel. Repeat for other crossbar.

Note - The Adapters include arrows on the top to aid orientation and tabs on the bottom which locate into the crossbar channel. The arrows face forward and to the side.



Note - two person install required for this step

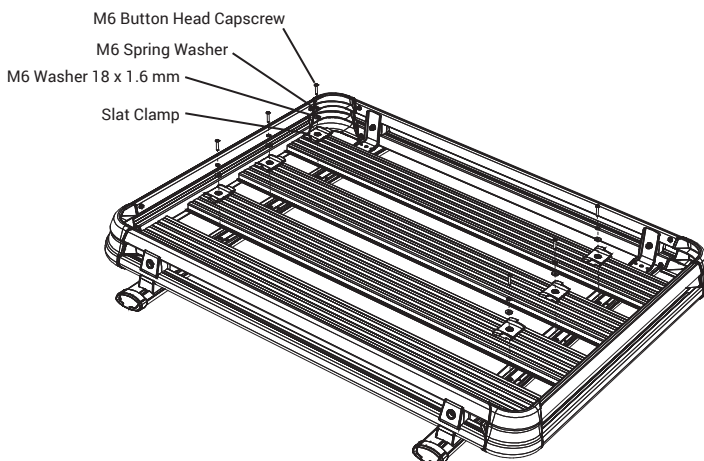
- 5** With the help of a friend, carefully position the assembled Tray on top of the Adapters on the vehicle crossbars. Measure the distance from each end of the crossbars to the Tray on both sides, and crossbar overhang on front and rear to ensure Tray is centrally positioned on crossbars.



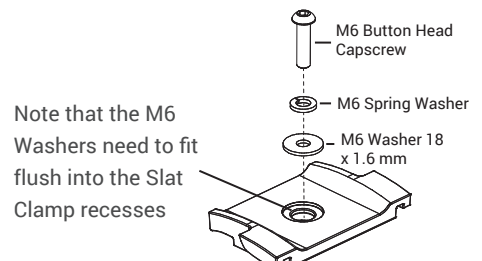
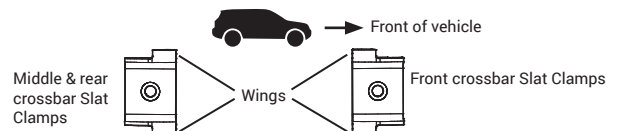
Note how the Tray rests on the curved outer adapters.

Note - The Adapters are not fully secure and may move until bolted into place.

- 6** Loosely install the Slat Clamps from the Heavy Duty Alloy Tray kit onto each Inner and Middle Adapter using M6 Washer 18 x 1.6 mm, M6 Spring Washer and M6 Button Head Capscrew.



Note the orientation of the crossbar Slat Clamp wings. The front faces rearwards and the middle & rear face forward.

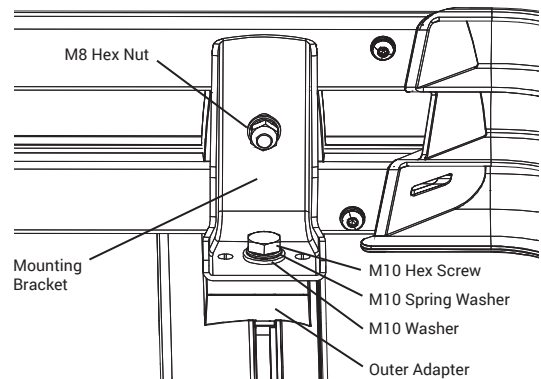


- 7** Adjust Alloy Tray Mounting Brackets so the holes align with the Outer Adapters on each end of every crossbar.

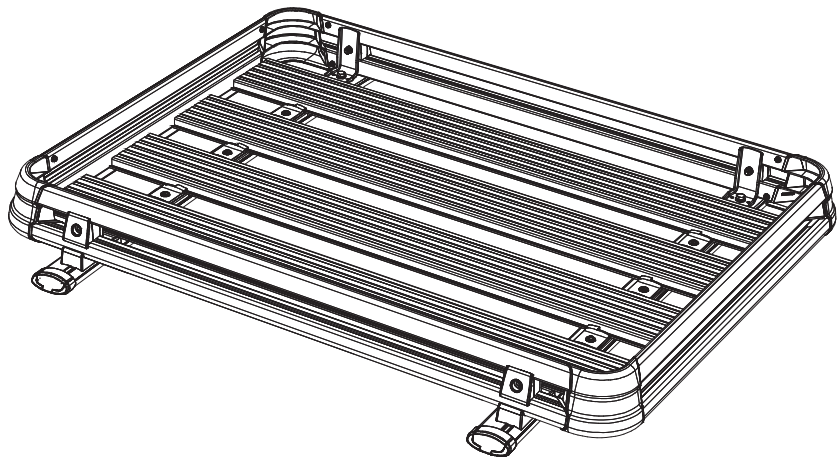
Secure all Alloy Tray Mounting Brackets to the Outer Adapters and T-Nuts in the crossbars with M10 Washer, M10 Spring Washer and M10 Hex Screw using a 17 mm Spanner or a suitable Torque Wrench.

Tighten the M8 Button Head Cap Screws and M8 Hex Nuts that were loosely installed during the Alloy Tray assembly using the 5 mm Allen Key provided in the Alloy Tray kit and a 13 mm Spanner or a suitable Torque Wrench.

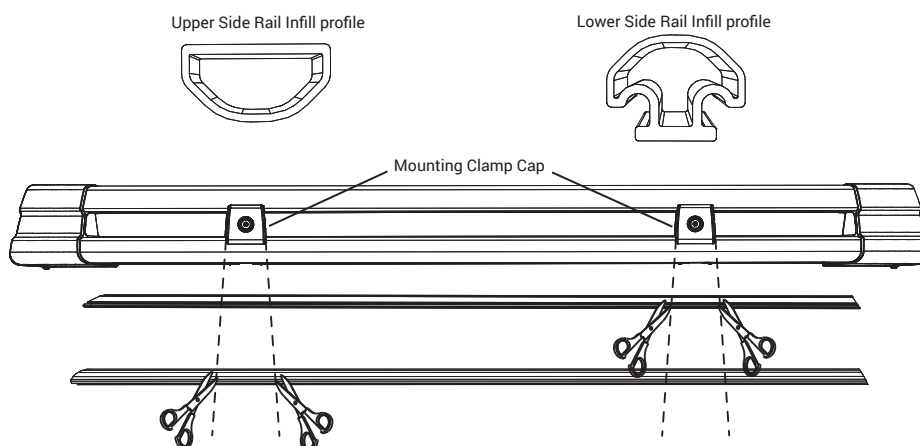
A torque setting of 10 Nm is recommended for both operations.



- 8** Securely tighten all Slat Clamp Screws that were loosely installed in Step 6 to 5 Nm with 4 mm Ball End Allen Key provided or a suitable Torque Wrench.



- 9** Install Rubber Infill to Upper and Lower Side Rails by measuring the spaces between Mounting T-Blocks and cutting the Rubber Infill strips to fit with a large pair of scissors. Squeeze and push cut Rubber Infill strips completely into the Upper and Lower Side Rail channels. Silicon spray can be used to assist installation.



Maintenance

- Check accessory is securely attached whenever you refit it to the vehicle. If the unit feels loose, refer to the fitting instructions and readjust.
- Regularly check all fasteners. This includes all attached accessories and roof racks.
- Clean with hot soapy water and sponge as required.

Caution

- Ensure that all loads are distributed evenly across the roof racks and in the Tray, and are fastened securely.
- A loaded roof rack system can alter the performance of your vehicle. Be especially aware of the effects of side winds, changing of direction, and braking performance. Avoid rapid acceleration and deceleration. Drive Carefully.
- Make sure all loads are securely fastened with non-elastic straps. Check regularly during longer journeys.
- Never drive into a car wash with the roof rack system or accessories fitted.
- Do not exceed the vehicle manufacturer's roof load rating. Total load equals weight of roof racks + accessories + cargo/ equipment.



Prorack
17 Hinkler Court, Brendale
QLD 4500, Australia

Freephone
AU: 1800 143 548
NZ: 0800 4776 722

www.prorack.co.za
www.prorack.com.au
www.prorack.co.nz