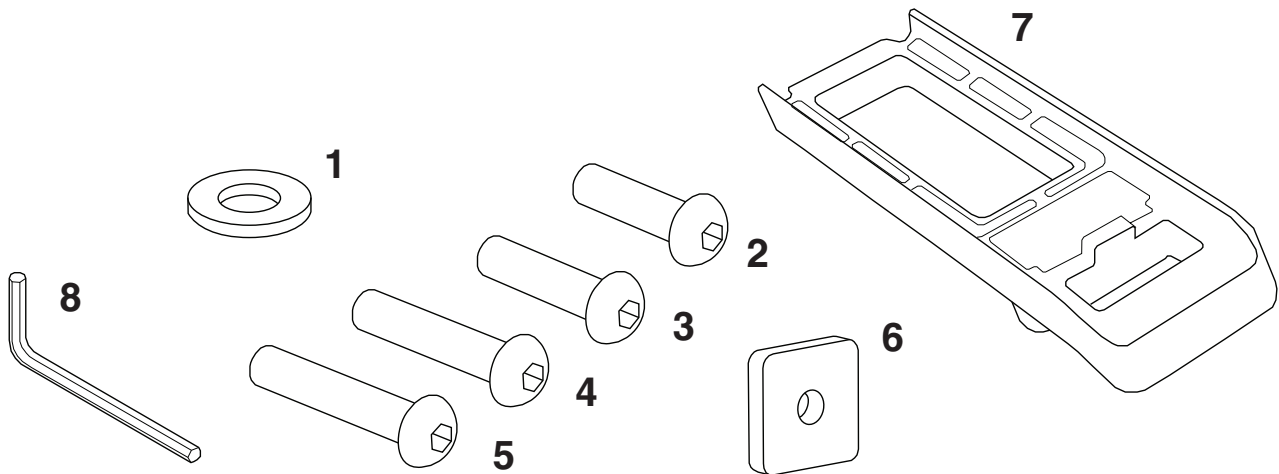


HEIGHT PACKERS

WORKS WITH: **YAKIMA® ProRack®**

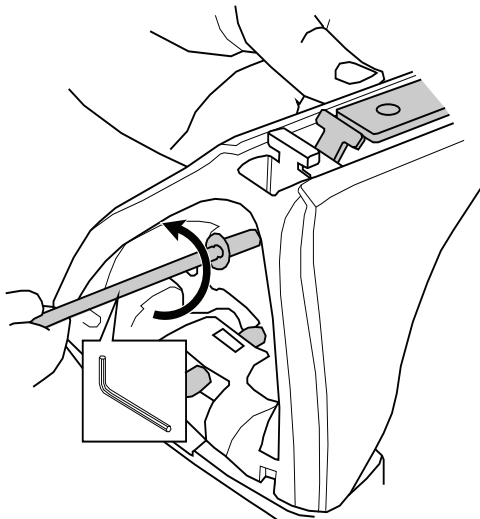
KIT CONTENTS

Item	Component	TP1	TP2	TP3	TP4
1	M8 Washer	x2	x2	x2	x2
2	M8 x 30 mm Button Head Cap Screw	x2	-	-	-
3	M8 x 35 mm Button Head Cap Screw	-	x2	-	-
4	M8 x 45 mm Button Head Cap Screw	-	-	x2	-
5	M8 x 50 mm Button Head Cap Screw	-	-	-	x2
6	M8 Square Nut	x2	x2	x2	x2
7	Height Packer	x2	x4	x6	x8
8	Allen Key	x1	x1	x1	x1



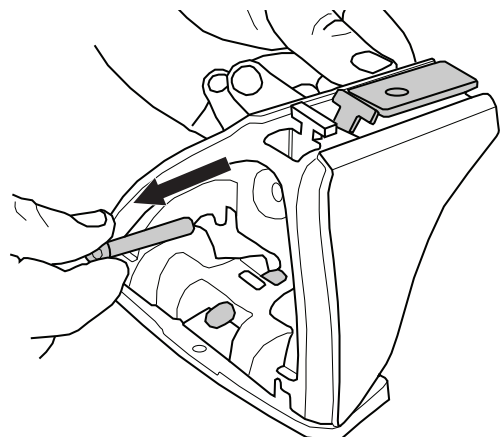
INSTALLATION FOR YAKIMA TRIMHD CROSSBARS

- 1** Use the allen key to fully undo the adjusting screw.

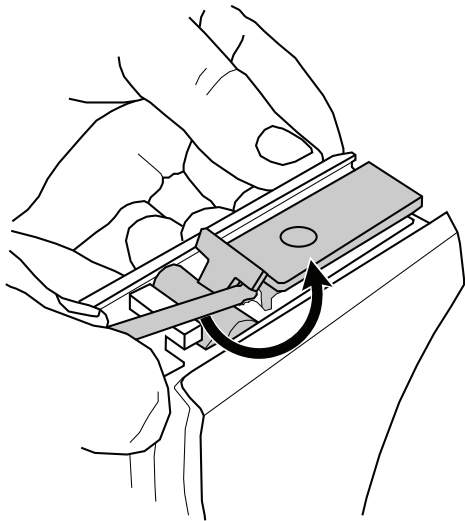


- 2** Remove adjusting screw and store in a safe place.

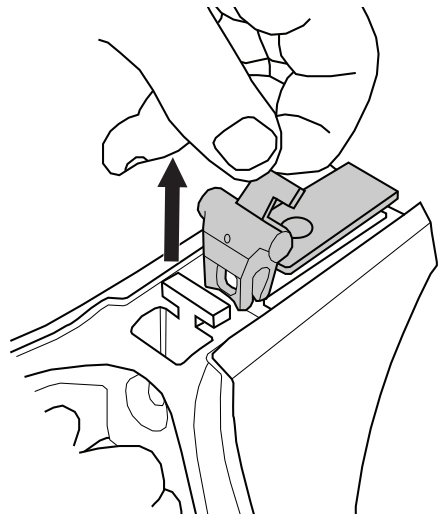
Repeat for all leg assemblies.



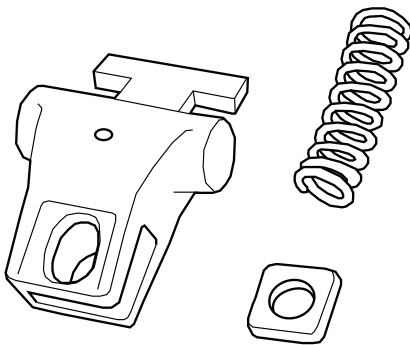
3 Use the allen key to lift the toggle assembly.



4 Remove the complete toggle assembly.

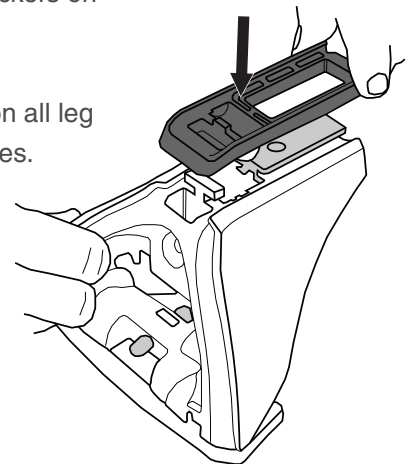


5 Store items away in a safe place.

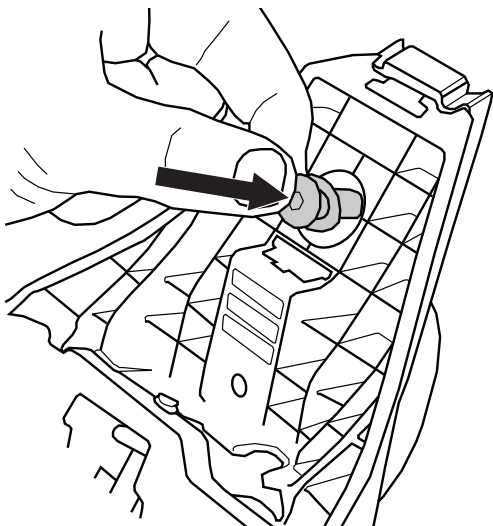


6 Place packers on the leg.

Repeat on all leg assemblies.

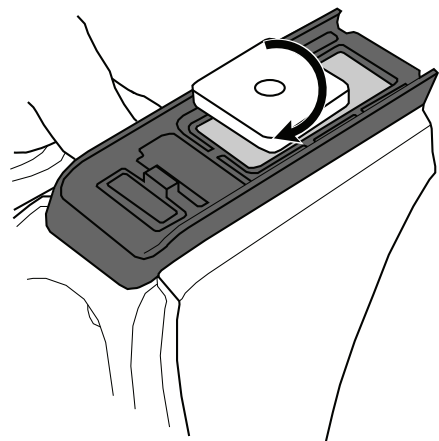


7 Insert the cap screw and washer together through the back of the leg.



8 Assemble the nut onto the cap screw.

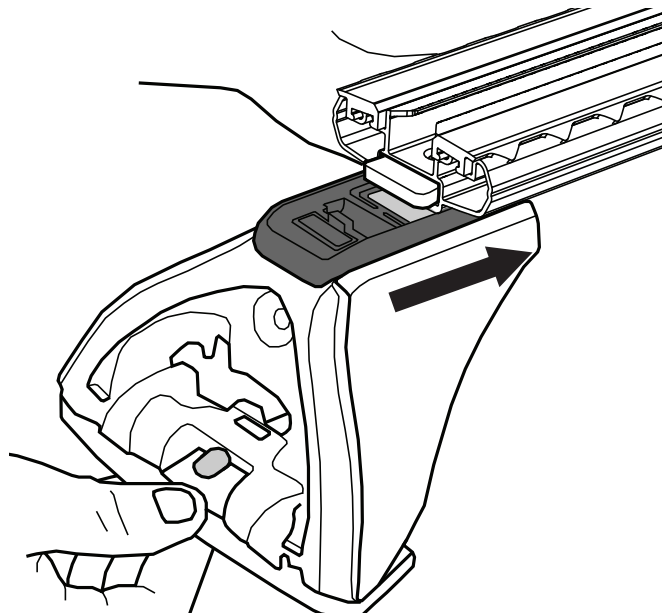
Do not fully tighten.



REFER TO LEG INSTALLATION INSTRUCTIONS TO INSTALL CROSSBAR

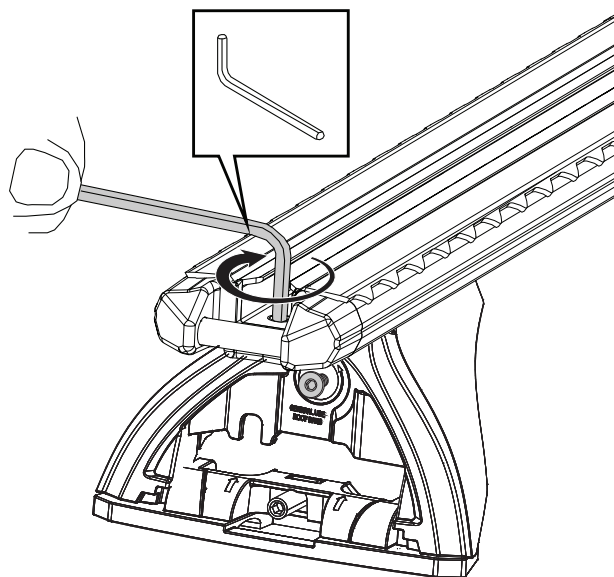
- 9** Place leg assembly back onto the crossbar.
Ensure the nut goes into the bottom slot of the crossbar.

Repeat on other crossbar.



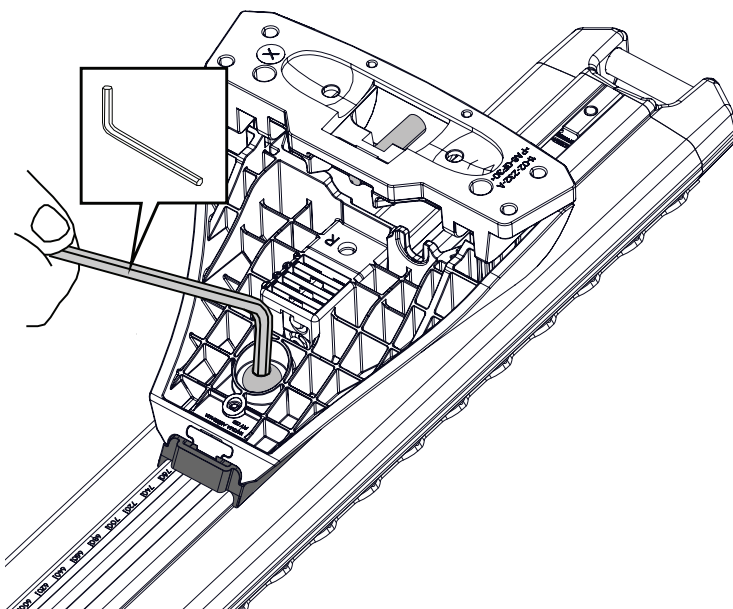
- 10** Carefully hold the end cap assembly and reinsert back onto the crossbar.

Use the allen key to secure the end cap back into place.



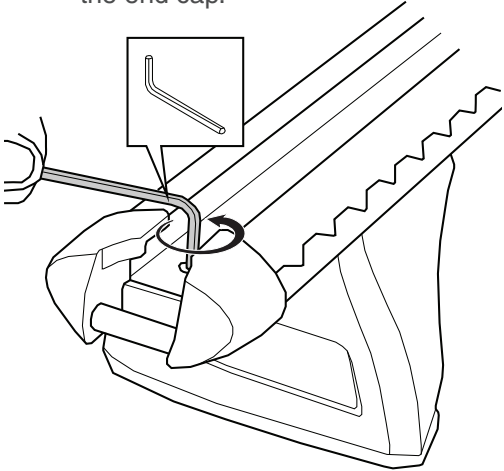
- 11** Using the allen key supplied with this kit, fully tighten. (5Nm (3.7 fit.lb))

When setting this height packer kit onto the vehicle, this screw will need to be adjusted to suit the vehicle width.



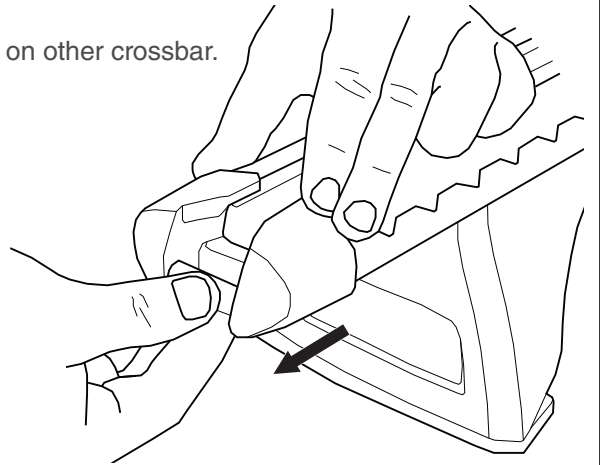
INSTALLATION FOR PRORACK HEAVY DUTY CROSSBARS

- 1** Remove hex key from right hand cover. Use the hex key to remove the end cap.

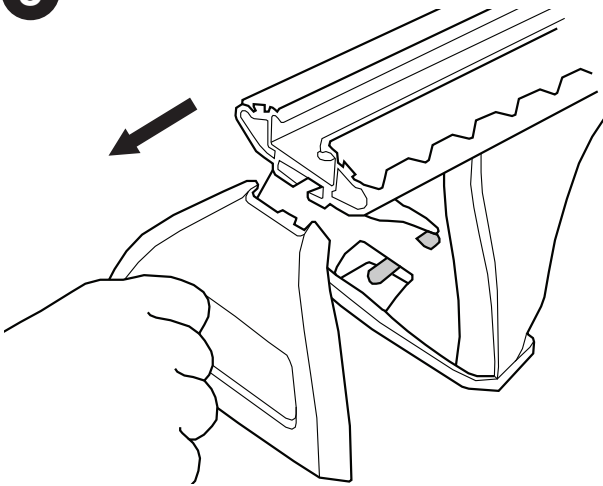


- 2** Remove the end cap by pulling on the end cap pin and pushing on the top of the end cap. Use a side to side motion to assist.

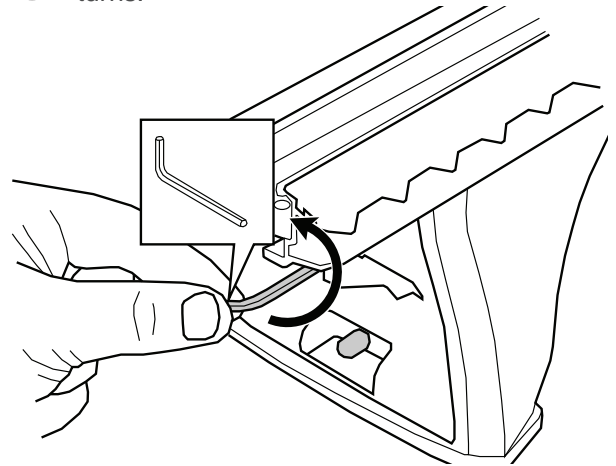
Repeat on other crossbar.



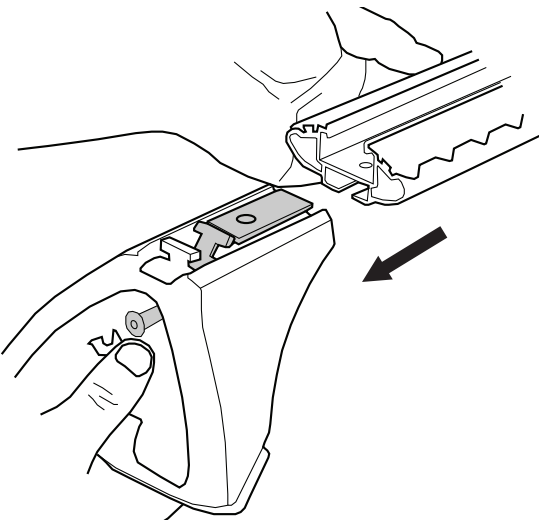
- 3** Use key to remove covers.



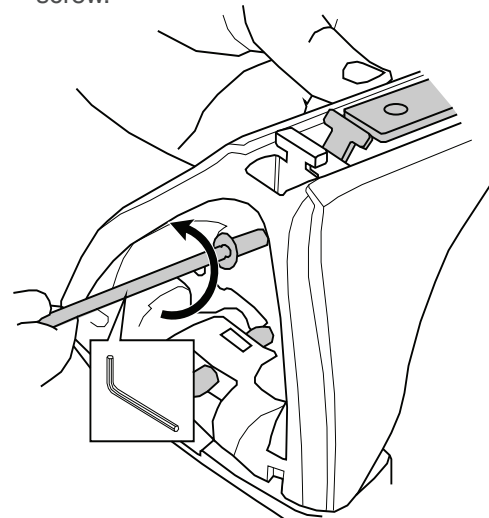
- 4** Use allen key to reverse adjusting screw 10 turns.



- 5** Press adjusting screw and slide the leg completely off the crossbar.

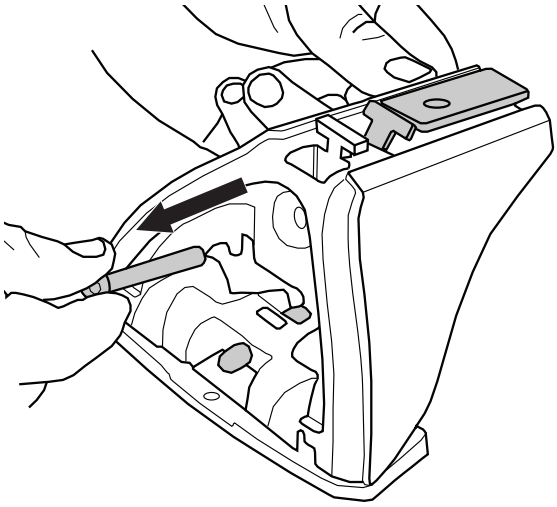


- 6** Use the allen key to fully undo the adjusting screw.

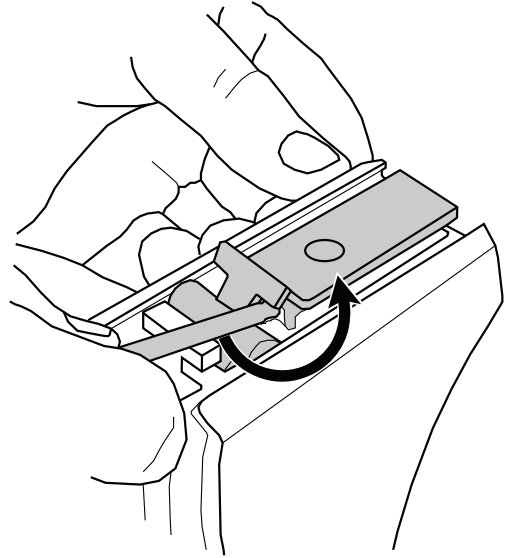


7 Remove adjusting screw and store in a safe place.

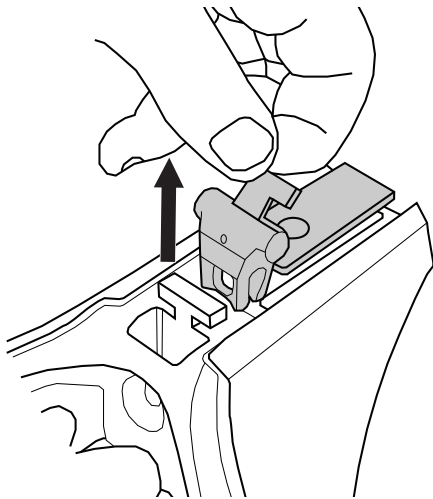
Repeat for all leg assemblies.



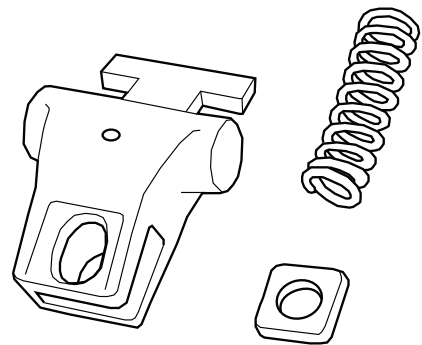
8 Use the allen key to lift the toggle assembly.



9 Remove the complete toggle assembly.

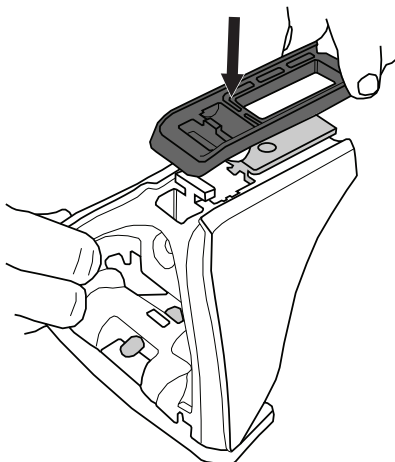


10 Store items away in a safe place.

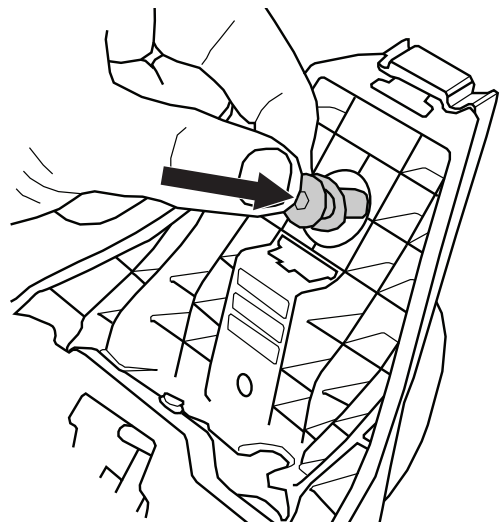


11 Place packers on the leg.

Repeat on all leg assemblies.

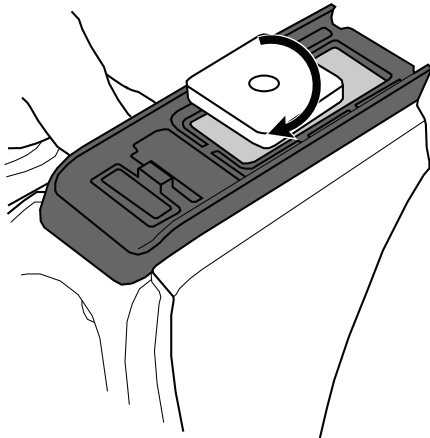


12 Insert the cap screw and washer together through the back of the leg.



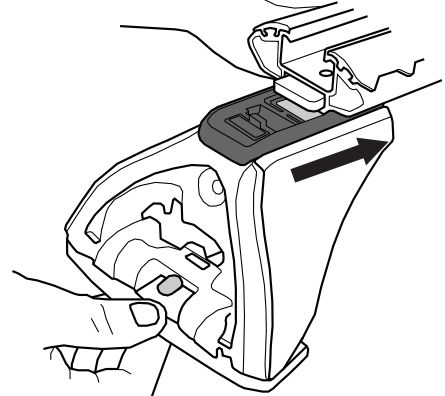
13 Assemble the nut onto the cap screw.

Do not fully tighten.



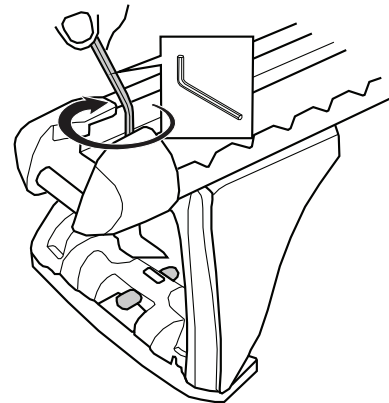
14 Place leg assembly back onto the crossbar. Ensure the nut goes into the bottom slot of the crossbar.

Repeat on other crossbar.



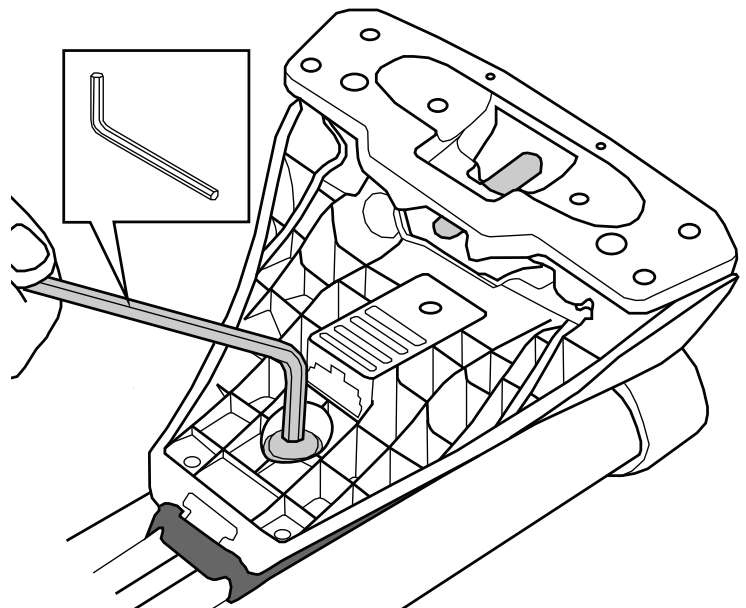
15 Carefully hold the end cap assembly and reinsert back onto the crossbar.

Use the allen key to secure the end cap back into place.



16 Using the allen key supplied with this kit, fully tighten. (5Nm (3.7 fit.lb))

When setting this height packer kit onto the vehicle, this screw will need to be adjusted to suit the vehicle width.



Yakima Australia Pty Ltd
17 Hinkler Court, Brendale
QLD 4500, Australia
1800 143 548
www.yakima.com.au
www.prorack.com.au

ALL CONTENT SUBJECT TO YAKIMA AUSTRALIA PTY LTD COPYRIGHT © 2015